

INSTRUCTIONS FOR USE

MANNLICHER CLASSIC



MANNLICHER CLASSIC LIGHT



MANNLICHER PRO HUNTER



MANNLICHER PRO VARMINT



ARMS

**IMPORTANT -
READ BEFORE USE!**

WARNING:

Cleaning liquids or lubricants or insect repellents which contain solvents, may damage the synthetic parts of the weapon or even may damage them.

CAUTION!

Before unpacking and using the rifle read this Operator's manual; it will warn the owner/user against possible dangers that could be caused by misuse, which might lead to accidents. This manual will familiarize you with the rifle's function and safe handling characteristics.



MANNLICHER PRO HUNTER with optional sights



MANNLICHER PRO HUNTER without optional sights



MANNLICHER CLASSIC LIGHT with optional sights



MANNLICHER CLASSIC LIGHT without optional sights

MAINTENANCE NOTES:

PERSONAL NOTES:



STEYR ARMS, Inc.
P.O. BOX 2609
CUMMING, GA. 30028
U.S.A.
Tel. (770) 888-4201
Fax. (770) 888-4863
www.steyrarms.com



STEYR MANNLICHER GmbH & Co KG
Ramington 46
4442 Kleinraming | Austria
office@steyr-mannlicher.com
www.steyr-mannlicher.com



MANNLICHER CLASSIC Halfstock with optional sights



MANNLICHER CLASSIC Fullstock



MANNLICHER PRO VARMINT

Dear Customer,

With the purchase of the repeating rifle manufactured by STEYR MANNLICHER, you have acquired a hunting rifle which meets the highest quality standards. This rifle has been conceived to state-of-the-art requirements of today's hunting sports. Unsurpassed performance, superb quality, optimum user comfort in handling, and long service life have been the parameters this new development has been designed for. With our thorough quality assurance system you can be sure to have acquired a top-brand product of outstanding quality. Please read this manual carefully to familiarize yourself with the function and operation of this firearm. After having done so, there is nothing left for us to do but wish you much pleasure in pursuing the noble art of hunting with your new rifle.

WARNING:

This rifle is designed for use only with high-quality, original factory-manufactured cartridges. Use of handloaded, reloaded, „remanufactured“ or other nonstandard ammunition may cause serious malfunctions which can pose a safety hazard to the shooter or to others.

OWNER'S MANUAL

MANNLICHER CLASSIC MANNLICHER CLASSIC LIGHT MANNLICHER PRO HUNTER MANNLICHER PRO VARMINT

PREFACE

This manual and the warnings contained herein must be read and understood before using your rifle. This manual familiarizes the user with the function and the handling of the rifle and warns against the potential dangers of misuse that may lead to accidents or injuries. This manual should always accompany this firearm and be transferred with it upon change of ownership, or when the firearm is loaned or presented to another person.

THIS MANUAL IS NOT A SUBSTITUTE FOR A HUNTING SAFETY COURSE OR A FIREARMS SAFETY COURSE!

Copyright STEYR MANNLICHER GmbH & Co KG.
All rights reserved.



STEYR ARMS, Inc.
P.O. BOX 2609
CUMMING, GA. 30028
U.S.A.
Tel. (770) 888-4201
Fax. (770) 888-4863
www.steyrarms.com

DECLARATION OF CONFORMITY



CERTIFICATE

DNV ZERTIFIZIERUNG UND UMWELTGUTACHTER GMBH

certifies that the company



STEYR MANNLICHER GmbH & Co.KG

Ramingtal 46

A-4442 Kleinraming

with the plant location

Betriebsgebiet West 10
A-3352 St. Peter in der Au

has established a

quality management system
in conformity with

EN ISO 9001 : 2000

This Certificate is valid for:

**Development, manufacture and distribution of
hunting guns and law enforcement arms**

Further clarifications regarding the scope of this certificate and the applicability of EN ISO 9001 : 2000 requirements may be obtained by consulting the certified company.

This Certificate is valid until:

2009-05-31

Certificate-Registration-No.:
CERT-13176-2003-AQ-ESN-TGA

Essen, 2006-08-23

N. Kim
Manager

Stand 08/01 E.DNV 14020/1.1



Essen, 2006-08-23

T. Beck
Technical Support

TABLE OF CONTENTS

1. Special notes and warnings	5
2. Definition of Terms	11
3. Technical Data	12
4. Before Shooting	12
5. Safety Features	13
6. Trigger	15
6.1. Set Trigger	15
6.2. Direct Trigger	16
7. Removing the Magazine	17
8. Loading / Inserting the Magazine	17
9. Loading / Unloading	19
10. Removing the Bolt	22
11. Reinserting the Bolt into the Receiver	23
12. Uncocking the Rifle	23
13. Disassembling the Rifle	24
14. Disassembling the Bolt	25
15. Adjusting the Sights	27
16. Mounting the Scope	28
17. Cleaning and Maintenance	30
18. Service	32
19. Accessories	32
20. Adjusting Length of Pull (PRO HUNTER / VARMINT only) .	33
21. Detachable Sling Swivels (PRO HUNTER / VARMINT only)	33
22. Mounting of HC- Kit for PRO HUNTER / VARMINT	34
23. Dealing with Stoppages	35
24. Parts List	38

1. SPECIAL NOTES AND WARNINGS

INTRODUCTION

CAUTION

The higher level of preparedness required of law enforcement and military personnel may override several of the following safety instructions. To provide safety while operating at a higher level of preparedness, proper oriented training and a reasonable amount of periodic training, which stresses safe tactical procedures, is recommended.

FAILURE TO ADHERE TO SAFETY INFORMATION AND SAFETY INSTRUCTION IN THIS MANUAL COULD RESULT IN PROPERTY DAMAGE, PERSONAL INJURY OR DEATH.

CAUTION

Prior to loading and firing, carefully read this manual, which gives basic advice on the proper handling and functioning of this STEYR firearm. However, your safety and the safety of others (including your family) depend on your compliance with that advice, and your adoption, development and constant employment of SAFE PRACTICE.

IF UNFAMILIAR WITH FIREARMS, SEEK FURTHER ADVICE THROUGH SAFE HANDLING COURSES RUN BY YOUR LOCAL GUN CLUBS, APPROVED INSTRUCTOR, OR SIMILAR QUALIFIED ORGANIZATIONS.

CAUTION

IT IS POSSIBLE THAT A ROUND MAY BE IN THE CHAMBER WHEN A LOADED OR EMPTY MAGAZINE IS BEING REMOVED OR INSERTED. ANY ROUND IN THE CHAMBER WILL DISCHARGE UPON PULLING THE TRIGGER WITH THE MAGAZINE INSERTED OR REMOVED FROM THE RIFLE. THEREFORE THE USER SHALL NEVER LEAVE THE RIFLE UNATTENDED, EVEN WHEN THE MAGAZINE IS REMOVED AND

THE USER SHOULD EXERCISE EXTREME CAUTION AFTER REMOVING THE MAGAZINE AND PERSONALLY MUST VERIFY THAT THE CHAMBER IS ALSO EMPTY BEFORE FIELDSTRIPPING THE FIREARM FOR CLEANING OR ANY OTHER REASON.

WARNING

IF THE STEYR RIFLE OR ANY OTHER FIREARM IS CARELESSLY OR IMPROPERLY HANDLED, THE USER COULD CAUSE AN UNINTENTIONAL DISCHARGE, WHICH COULD RESULT IN DEATH, SERIOUS INJURY AND/OR PROPERTY DAMAGE.

SAFETY INSTRUCTIONS

We want you to enjoy shooting your STEYR RIFLE, but we want you to enjoy it safely. You may be an experienced safe shooter already, and familiar with the procedures in this manual, or you may never have handled a gun before. **Either way we urge you to READ THIS ENTIRE MANUAL CAREFULLY. It is essential to follow the safety instructions for your safety and the safety of others.**

WARNING

STEYR RIFLES HAVE SEVERAL INTERNAL SAFETIES, DESIGNED TO PREVENT AN ACCIDENTAL DISCHARGE, SHOULD THE RIFLE BE DROPPED OR RECEIVES A SEVERE BLOW OF THE MUZZLE OR FRONT OR BACK OF THE RIFLE. THEREFORE EXTRA CARE AND **STRICT ADHERENCE TO THE SAFETY INSTRUCTIONS AND OTHER INSTRUCTIONS CONTAINED IN THIS MANUAL** BY THE GUN USER IS MANDATORY FOR MINIMIZING THE RISK OF ACCIDENTS. HOWEVER, LIKE ANY OTHER MECHANICAL DEVICE, WHEN SUBJECTED TO EXTREME FORCES NOT NORMALLY ENCOUNTERED IN SPORTING, LAW ENFORCEMENT OR MILITARY USE, A PART FAILURE CAN OCCUR. THE PROPER AND SAFE FUNCTION OF THIS RIFLE IS BASED ON THE PREMISE THAT PARTS ARE NOT ALTERED OR MODIFIED, AND THE RIFLE IS USED FOR ITS INTENDED PURPOSE.

WARNING

In case any of the rifle's safeties proves to be ineffective for any reason, **DANGER** of an unintentional discharge exists. THE RIFLE IS THEN TO BE IMMEDIATELY UNLOADED AND RESTRICTED FOR ANY FURTHER USE. MAKE SURE THAT YOUR RIFLE IS PROPERLY REPAIRED AND CHECKED BY STEYR AUTHORIZED PERSONNEL BEFORE USING IT AGAIN!

GENERAL PRECAUTIONS

- 1 ALWAYS HANDLE YOUR RIFLE AS IF IT WERE LOADED SO THAT YOU NEVER FIRE ACCIDENTALLY.
- 2 NEVER POINT YOUR RIFLE AT ANYTHING YOU DO NOT INTEND TO SHOOT.
- 3 NEVER TAKE ANYONE'S WORD THAT A GUN IS UNLOADED; CHECK FOR YOURSELF, WITH FINGERS OFF THE TRIGGER AND GUN POINTED IN A SAFE DIRECTION.
- 4 ALWAYS BE SURE BARREL AND THE TRIGGER MECHANISM ARE CLEAR OF OBSTRUCTIONS. CLEAN OBSTRUCTIONS IMMEDIATELY SO THAT THE RIFLE WILL FUNCTION CORRECTLY AND SAFELY.
- 5 NEVER SQUEEZE THE TRIGGER OR PUT YOUR FINGER IN THE TRIGGER GUARD UNTIL YOU ARE AIMING AT THE TARGET YOU INTEND TO SHOOT.
- 6 FOR STORAGE:
UNLOAD THE FIREARM AS DESCRIBED, THEN AFTER VERIFYING THAT THE FIREARM IS EMPTY (CHAMBER EMPTY AND MAGAZINE OFF) STORE THE FIREARM IN THE PROVIDED CONTAINER IN SAFETY CONDITIONS ONLY.
- 7 NEVER SHOOT AT A HARD SURFACE, SUCH AS A ROCK, OR A LIQUID SURFACE, SUCH AS WATER. A BULLET MAY RICOCHET AND TRAVEL IN ANY DIRECTION TO STRIKE YOU OR AN OBJECT YOU CANNOT SEE.

- 8 ALWAYS BE SURE YOUR BACKSTOP IS ADEQUATE TO STOP AND CONTAIN BULLETS BEFORE BEGINNING TARGET PRACTICE SO THAT YOU DO NOT HIT ANYTHING OUTSIDE THE SHOOTING RANGE AREA.
- 9 ALWAYS BE ABSOLUTELY SURE OF YOUR TARGET AND THE AREA BEHIND IT BEFORE YOU SQUEEZE THE TRIGGER. A BULLET COULD TRAVEL THROUGH OR PAST YOUR TARGET UP TO 3,5 MILES (APPR. 5,6 KM). IF IN DOUBT DO NOT SHOOT.
- 10 ALWAYS PUT A RESPONSIBLE AND COMPETENT PERSON IN CHARGE TO MAINTAIN SAFETY DISCIPLINE AND CONTROL WHEN A GROUP IS FIRING ON A RANGE, TO REDUCE THE LIKELIHOOD OF ACCIDENTS.
- 11 ALWAYS CARRY YOUR RIFLE EMPTY AND OPEN WHILE ON A PUBLIC OR CLUB RANGE UNTIL PREPARING TO FIRE. KEEP IT POINTING TOWARDS THE BACKSTOP DURING LOADING, FIRING AND UNLOADING THE RIFLE.
- 12 NEVER LEAVE A RIFLE UNATTENDED. SOMEONE, ESPECIALLY A CHILD, MAY FIRE IT, BELIEVING IT TO BE A TOY.
- 13 NEVER USE YOUR RIFLE IF IT FAILS TO FUNCTION PROPERLY AND NEVER FORCE A JAMMED ACTION AS THE JAMMED ROUND MAY EXPLODE.
- 14 ALWAYS TRANSPORT YOUR RIFLE UNLOADED.
- 15 FAILURE TO FIRE:
ALWAYS HOLD THE RIFLE, KEEPING IT POINTED TOWARDS THE TARGET AND WAIT 60 SECONDS WHEN RIFLE FAILS TO FIRE. IF A HANGFIRE (SLOW IGNITION) HAS OCCURRED, ROUND WILL FIRE WITHIN 30 SECONDS. IF ROUND HAS NOT FIRED REMOVE MAGAZINE, EJECT ROUND AND EXAMINE PRIMER. IF FIRING PIN INDENT ON PRIMER IS LIGHT, OFF CENTER OR NON- EXISTENT HAVE RIFLE EXAMINED BY A COMPETENT GUNSMITH. IF FIRING PIN

INDENT ON PRIMER APPEARS NORMAL (IN COMPARISON WITH SIMILAR PREVIOUSLY FIRED ROUNDS) ASSUME FAULTY AMMUNITION. SEPARATE ROUND FROM OTHER LIVE AMMUNITION AND EMPTY CASES, RELOAD AND CARRY ON FIRING. NOTE: Dispose of misfired rounds in accordance with ammunition manufacturer's instruction.

- 16 NEVER FIRE YOUR RIFLE NEAR AN ANIMAL UNLESS IT IS TRAINED TO ACCEPT THAT NOISE, AN ANIMAL'S STARTLED REACTION COULD INJURE IT OR CAUSE AN ACCIDENT.
- 17 NEVER WALK, CLIMB, FOLLOW A COMPANION OR HUNT WITH YOUR RIFLE READY TO FIRE (IN BATTERY).
- 18 NEVER DRINK ALCOHOLIC BEVERAGES OR TAKE DRUGS BEFORE OR DURING SHOOTING. AS YOUR VISION AND JUDGMENT COULD BE SERIOUSLY IMPAIRED, MAKING YOUR GUN HANDLING UNSAFE.
- 19 ALWAYS SEEK A DOCTOR'S ADVICE IF YOU ARE TAKING MEDICATION TO BE SURE YOU ARE FIT TO SHOOT AND HANDLE YOUR RIFLE SAFELY.
- 20 ALWAYS WEAR EAR PROTECTION WHEN SHOOTING, ESPECIALLY ON A RANGE. WITHOUT EAR PROTECTION THE NOISE FROM YOUR RIFLE AND OTHER GUNS CLOSE TO YOU COULD LEAVE A "RINGING" IN YOUR EARS FOR SOME TIME AFTER FIRING AND COULD LEAD TO CUMULATIVE LONG TERM PERMANENT HEARING LOSS.
- 21 ALWAYS MAKE SURE YOUR RIFLE IS NOT LOADED BEFORE CLEANING, STORING, TRAVELING OR HANDING IT TO ANOTHER PERSON.
- 22 ALWAYS KEEP CLEAR AND KEEP OTHERS CLEAR OF THE EJECTION PORT, AS SPENT CARTRIDGES ARE EJECTED WITH

ENOUGH FORCE TO CAUSE INJURY. NEVER PLACE FINGERS IN EJECTION PORT OR ON HOT SLIDE OR BARREL DURING OR AFTER FIRING, AS THEY COULD BE BURNED BY HOT METAL.

- 23 NEVER PLACE FINGERS IN EJECTION PORT. THEY COULD BE INJURED BY THE BOLT MOVING FORWARD UNINTENTIONALLY.
- 24 ONLY USE HIGH QUALITY COMMERCIALY MANUFACTURED AMMUNITION IN EXCELLENT CONDITION AND IN THE CALIBER OF YOUR RIFLE. THE USE OF RELOADED AMMUNITION WILL VOID THE WARRANTY, DUE TO THE FACT THAT THERE IS NO WAY TO VERIFY THE STANDARDS (SAAMI/CIP) ADHERED TO BECAUSE RELOADS OR POOR QUALITY AMMUNITION SOMETIMES DO NOT NEED SPECIFICATION (SAAMI/CIP), EXCEED LIMITS AND COULD BE UNSAFE.
- 25 NEVER SHOOT THE RIFLE WITHOUT SIGHTS. ALWAYS USE ORIGINAL STEYR-SIGHTS.
- 26 NEVER PULL THE TRIGGER BEFORE THE BOLT HAS COMPLETELY REACHED ITS MOST FORWARD POSITION (STARTING POSITION).

CAUTION

TO MINIMIZE RISK OF UNINTENTIONAL DISCHARGE (AND DAMAGE) LOAD LIVE AMMUNITION INTO RIFLE ONLY WHEN YOU ARE ABOUT TO SHOOT.

SPECIAL PRECAUTIONS IN SAFETY CONDITION 3 CONCERNING CHILDREN

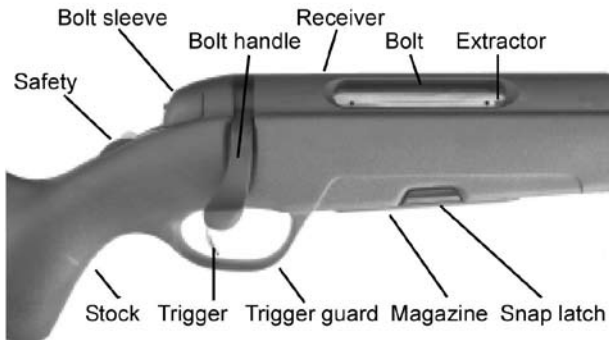
- 1 ALWAYS STORE YOUR RIFLE AND AMMUNITION IN SEPARATE LOCKED RECEPTACLES OUT OF SIGHT AND REACH OF CHILDREN.
- 2 NEVER LEAVE YOUR RIFLE UNCONTROLLED. UNAUTHORIZED PERSONS, ESPECIALLY CHILDREN, COULD BELIEVE THE WEAPON IS A TOY AND FIRE IT.

2. DEFINITION OF TERMS

MANNLICHER CLASSIC MANNLICHER CLASSIC LIGHT



MANNLICHER PRO HUNTER MANNLICHER PRO VARMINT



3. TECHNICAL DATA

Caliber:

.222 Rem., .223 Rem., .243 Win., .308 Win., 7 mm-08 Rem, 6,5 x 57, 7x64, .270 Win., .30-06 Spr., 6.5x55 SE; .25-06 Rem., 8x57 JS, 8x68S 9.3x62, .376 Steyr 7 mm Rem. Mag., .270 WSM, 7 mm WSM, .300 Win. Mag., .300 WSM, .338 Federal, .450 Marlin, (8x68 S Availability on demand)

Overall length of rifle:

Semi stock MANNLICHER CLASSIC	1150 mm / 45"
Semi stock MANNLICHER CLASSIC LIGHT	1060 mm / 42"
Semi stock MANNLICHER PRO HUNTER....	1190 mm / 47"
Semi stock MANNLICHER PRO VARMINT ..	1115 mm / 43,9"
Full stock	1060 mm / 42"
Mountain	1060 mm / 42"
Overall height	160 mm / 6,3
Overall width	50 mm / 2"

Barrel length:

Semi stock MANNLICHER CLASSIC	600 or 650 mm / 24 or 26"
Semi stock MANNLICHER CLASSIC LIGHT.	508 mm / 20"
MANNLICHER PRO HUNTER	600 or 650 mm / 24 or 26"
MANNLICHER PRO VARMINT	600 mm / 24"
Full stock	508 mm / 20"
Mountain	508 mm / 20"

Total weight (depends on caliber, stock or stock type, without scope)

M C, M PRO H, M PRO VA	appr. 3.2 - 3.8 kg / 7 - 8.4 lbs
MANNLICHER CLASSIC LIGHT	appr. 2.9 kg / 6.4 lbs

4. BEFORE SHOOTING

Before shooting, you only clean the barrel bore of oil and wipe the bore dry (see also section 17). If the weapon is not assembled, the bolt must be inserted into the receiver as described in section 11.

5. SAFETY

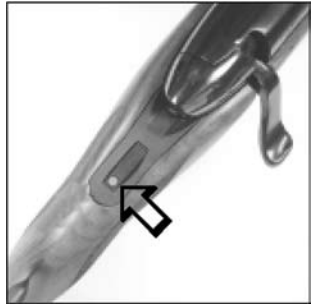
The safety can be operated only when the weapon is cocked or the bolt handle is open!

The „2 + 1 positions STEYR MANNLICHER safety“

Firing Position:

CAUTION

The cocked weapon is ready for firing, when the red dot is visible. The rotary slide is rotated fully forward.



Safety Position:

By turning the rotary safety backward until a noticeable click can be felt, the safety is brought into loading position.

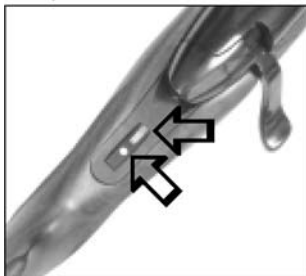
Only the white dot on the safety is visible!



In this position any unintentional firing of a shot will be prevented and the rifle can thus be loaded safely.

Optional Lock Position:

Trigger is locked, bolt cannot be opened. To put the weapon on safe, the rotary safety slide on the butt neck must be rotated backward until the gray lock engages. The gray lock and the white dot on the safety are visible; the gray lock can also be felt as a protrusion for operation in darkness. In this position, the bolt cannot be opened. The set trigger is automatically uncocked when safety is on. The set trigger cannot be moved into set position.



Lock Position + Firing Pin Safety

For added “firing pin safety“ the bolt handle can be moved closer to the stock in lock position and thus will be in optimal transport position. In this position, bolt handle and firing pin will be locked. If the bolt handle is in “Firing pin safety“ position, it will be automatically moved into firing position when activating the loading position (“Released“).



6. TRIGGER

The **MANNLICHER CLASSIC / LIGHT** comes with forward set trigger as standard equipment, the **MANNLICHER PRO HUNTER / VARMINT** with direct trigger. However, the rifle can be retrofitted with the alternative trigger system at any time.

6.1 Forward Set Trigger

For **setting**, the trigger must be pressed forward against the spring pressure. By slightly tipping the trigger it will return into its original position releasing the shot.

Without setting, the set trigger can be used as shotgun trigger.

Uncocking:

If the weapon is cocked, move safety slide in lock position to automatically uncock the rifle.

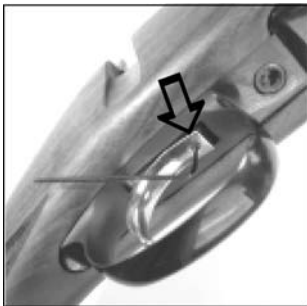
If the weapon is uncocked, pull through trigger.

Adjustment of the forward set trigger:

To reduce trigger pressure, turn the screw on the trigger in clockwise direction using a size 1.5 Allen key.

WARNING:

Turning the screw too far will make cocking impossible.



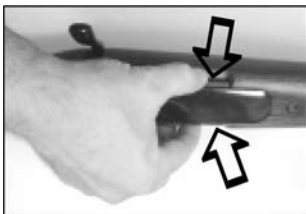
Turning the screw in counterclockwise direction will increase trigger pressure.

6.2 Direct Trigger

The weapon has been factory-set to optimal trigger characteristics. Thus, the shooter must not perform any changes or adjustments!

7. REMOVING THE MAGAZINE

Press the two snap latches at the right and the left of the magazine fully together using thumb and index finger of one hand and remove the magazine while pressing.



8. LOADING/INSERTING THE MAGAZINE

Loading

Place cartridge on top of the magazine and push in by thumb pressure.

Magazine Capacity :

4 cartridges in standard calibers,
3 cartridges in magnum calibers.
Put safety to loading position.



Inserting the magazine into the rifle

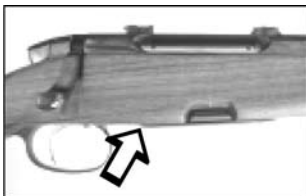
The magazine can be locked in the rifle in 2 positions:

Normal position

Insert the magazine into the rifle and press it in until it locks with an audible click.

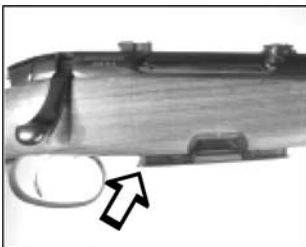
If the magazine is to be inserted without any noise, the two snap latches must be pressed against each other and the magazine pressed in until the two latches lock. The inserted magazine will be flush with the stock.

When the bolt is operated, a cartridge will be chambered from the magazine.



Second magazine position

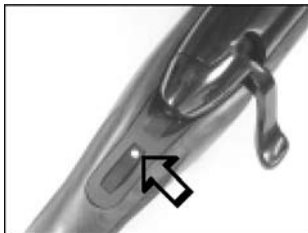
Press the two snap latches of the magazine against each other and push magazine into the rifle until the magazine latches on the upper detent. In this position the magazine will protrude from the stock by approx. 5 mm / 0,19". When the bolt is operated, cartridges **WILL NOT** feed from the magazine.



9. LOADING / UNLOADING

Loading:

Move rotary safety of the rifle to position **“Safety”**.



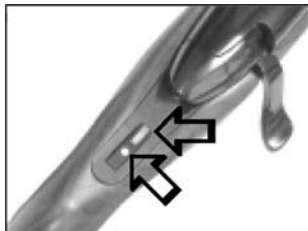
Turn bolt handle 70° upwards to unlock the bolt. Pull bolt all the way to the back by the bolt handle.

When moving the bolt forward, a cartridge will be fed into the cartridge chamber of the barrel and by turning the bolt handle down, the action will be locked.

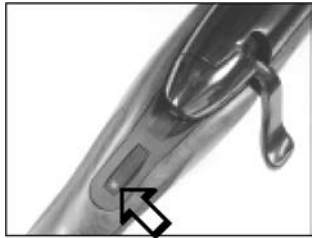


Move rotary safety backward to position **“Lock”** (the gray lock will snap out).

Now the weapon is loaded, cocked and safe.



Release safety only shortly before firing the shot. For weapons with set trigger the trigger must be set before firing if it is to be used as set trigger. If the weapon has to be reloaded after firing a shot, the bolt handle must be opened.



By retracting the bolt, the spent cartridge shell will be extracted and ejected. Moving the bolt forward will feed a new cartridge into the cartridge chamber of the barrel. Relock the bolt by turning the bolt handle. Move rotary safety back to position **“Safe”**. The rifle is loaded, cocked, and safe, again. If the safety has been released, but no shot fired, the weapon must be immediately put on safe again.

Unloading:

Move rotary safety in position **“Safe“** (only white dot is visible).



Remove magazine or lock it in second position (magazine protrudes by approx. 5 mm/ 0,19“).



By opening the bolt handle and retracting the bolt, the cartridge located in the loading chamber of the barrel will be extracted and ejected. Make certain that no cartridge is in the chamber.

Close the bolt .

10. REMOVING THE BOLT

Removal of the bolt is recommended to facilitate proper cleaning of the barrel.

With your right hand, turn bolt handle 70° to the left (unlocking).



Move rotary safety to position “Lock” (gray lock snaps out).



Hold bolt by the bolt handle and extract it from the receiver.



11. REINSERTING THE BOLT INTO THE RECEIVER

First, make certain that the magazine has been removed or locked in second position and the weapon is unloaded! When reinserting the bolt into the receiver the rotary safety will be in “Lock” position. Hold the bolt by the bolt handle and insert it into the receiver. When inserting the bolt, rotate the bolt so that the bolt handle slides into the slot of the receiver. Move rotary safety slide to “Firing” position and lock the bolt handle while simultaneously pulling the trigger (to prevent cocking of the firing pin).

When doing so, the indicator pin at the rear of the bolt sleeve will disappear.

12. UNCOCKING THE RIFLE

Make certain the weapon is unloaded and the safety is on “Firing position”. The bolt handle is open.

WARNING:

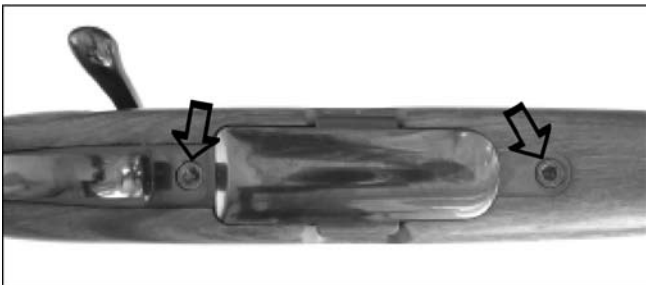
DO NOT ATTEMPT TO UNCOCK A LOADED RIFLE!

When you are certain the rifle is empty, pull trigger and hold it while pushing the bolt handle to the right and downward.

The indicator pin at the rear of the bolt sleeve will disappear indicating that the weapon is uncocked.

13. DISASSEMBLING THE RIFLE

Complete disassembly of the rifle by the user usually is not required. The two screws at the bottom side of the rifle connect the action to the stock.



If these screws are loosened, they have to be retightened again with a torque wrench (7 Nm).

WARNING:

When removing the action from the rifle, the hex screw at the front bottom side of the receiver must never be loosened. The screw has been factory-tightened with a torque of 10 Nm.

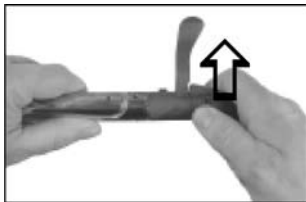


14. DISASSEMBLING THE BOLT

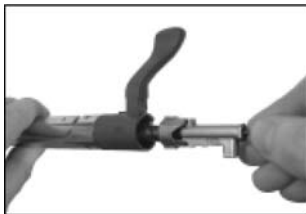
Under normal circumstances, the bolt doesn't need to be disassembled. It has been permanently lubricated by the factory. As a rule, occasional inspection by the gunsmith of your franchised MANNLICHER Dealer should be sufficient to ensure adequate maintenance. If you wish, you may ask an expert gunsmith to instruct you in the disassembly and reassembly of the bolt. However, special circumstances with no gunsmith available may require that the bolt be disassembled, cleaned, and lubricated.

Disassembly:

Grip the bolt with your left hand. Push in catch lever with your right thumb and simultaneously rotate the bolt sleeve clockwise (arrow shows direction of rotation) until it unlocks with an audible click. Take off bolt sleeve and extract firing pin assembly.



Now, all parts can be cleaned and lubricated as required.



Any further disassembly should be done only by adequately trained and skilled personnel (gunsmith).

CAUTION:

When disassembling, never rotate the bolt sleeve in counterclockwise direction. Otherwise, the bolt could not be reinserted into the receiver.

Reassembling the bolt:

Grip the bolt on its unblued portion with your left hand. Insert firing pin assembly into bolt with the cocking piece aligned directly opposite to the bolt handle. Using your right hand, slide the bolt sleeve on the cocking piece until it stops, simultaneously pressing the catch lever with your thumb. Rotate the bolt sleeve counterclockwise until it locks into position.

Make sure not to turn the bolt sleeve beyond the line of alignment between its cover part and the bolt handle.

Any further disassembly is reserved for the gunsmith, who will have the requisite special tools and devices at his disposal.

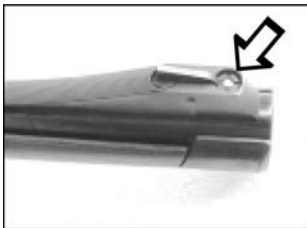
15. ADJUSTING THE SIGHTS

Front sight, elevation:

Use thumb pressure to press front sight downward.

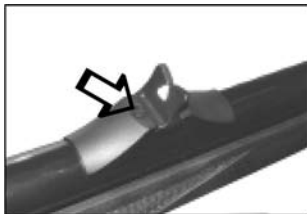
The adjusting nut can then be turned. Turning the nut to the left will lower the front sight and raise the point of impact.

Turning the nut to the right will raise the front sight and lower the point of impact.



Rear sight, windage:

Loosen the screw behind the rear sight blade and move sight to the left or to the right.



To the left = point of impact shifts to the left.

To the right = point of impact shifts to the right.

16. MOUNTING THE SCOPE

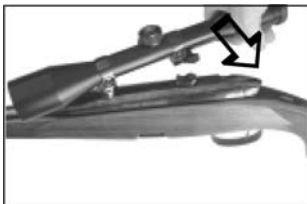
It is recommended to use the original STEYR swing mount. This will ensure you can make full use of the accuracy of these barrels.

The receiver has been drilled and tapped at the factory for scope mounts (Holes are plugged, if the rifle has been delivered without scope). Fitting surfaces for attaching the original STEYR swing mount have also been prepared so that the scope can be mounted by an experienced gunsmith in minimal time.

Mounting the scope:

Hold the scope with your right hand in horizontal position, at an angle of 45° to the rifle axis, mount the front scope ring (for prism mounts this part is termed holding prism) on the front base and swing the scope in a clockwise direction until it locks automatically.

Pulling back the slide is not necessary.



Removing the scope:

With your right hand, reach over the scope and retract the slide using your thumb and index finger, simultaneously swing the scope counterclockwise to an angle of 45° and lift it off.



17. CLEANING AND MAINTENANCE

The action of the **MANNLICHER CLASSIC / LIGHT** and **MANNLICHER PRO HUNTER / VARMINT** has been designed to require no maintenance for prolonged periods.

Never use steel brushes to clean the barrel. The recommended cleaning material is silk noil or cotton wool which should be soaked with a special barrel oil or a high quality gun oil for pre-cleaning or final oiling. Special agents for removing copper deposits may be used as directed.

Make sure to always clean the barrel from rear to front. Never draw the silk noil or cotton patch back through the barrel after it emerges from the muzzle; rather, remove the noil or patch. Make sure to avoid even the slightest wear or damage to the muzzle crown. After cleaning, the barrel bore should be oiled lightly.

WARNING:

A rotary bushing inserted between the barrel and the receiver may be dislodged by improper cleaning, including the use of oversized patches or oversized cleaning brushes. If the bushing is dislodged, the bolt cannot be inserted or locked.

Before firing your gun, any residual oil in the barrel should be removed with a final dry patch. Otherwise the point of impact may shift.

For the wooden stock, only special stock-oil with silicone is recommended.

The synthetic stock should be cleaned with mild soap and water.

All external metal surfaces should be treated with a gun oil that creeps under moisture and does not emulsify.

For the scope mount and all movable parts, special permanent lubricants are recommended. Make sure to always keep the scope mount free of any contamination, in particular, the pivot pin of the front base and the mechanical parts. Grease slightly from time to time.

It is recommended to use a different type of oil for cleaning and for preservation or greasing.

WARNING:

The use of gun care products and cleaning agents as well as insect repellents containing solvents may change or even damage the synthetic parts.

18. SERVICE

Prior to shipment, your rifle has been subjected to thorough quality assurance inspections.

If your rifle should require a replacement of parts or repair, such replacement or repair work may be done only by an authorized and qualified gunsmith. Please contact one of our authorized STEYR MANNLICHER dealers.

WARNING:

Only original spare parts may be used for repairs or replacement!

19. ACCESSORIES

The following optional accessories are available:

- Magazine
- Direct trigger or forward set trigger
- Spacer for stock of MANNLICHER PRO HUNTER
- Butt plate with soft rubber
- HC-Kit for 10-round magazine for MANNLICHER PRO HUNTER
- 10-round magazine for MANNLICHER PRO HUNTER

20. ADJUSTING LENGTH OF PULL (PRO HUNTER / VARMINT ONLY)

The **MANNLICHER PRO HUNTER / VARMINT** features a removable butt plate, which can be removed using a screwdriver. The length of pull may be adjusted individually by means of spacers.



21. DETACHABLE SLING SWIVELS (PRO HUNTER / VARMINT ONLY)

The sling swivels of the **MANNLICHER PRO HUNTER / VARMINT** can be removed by pushing and turning them.



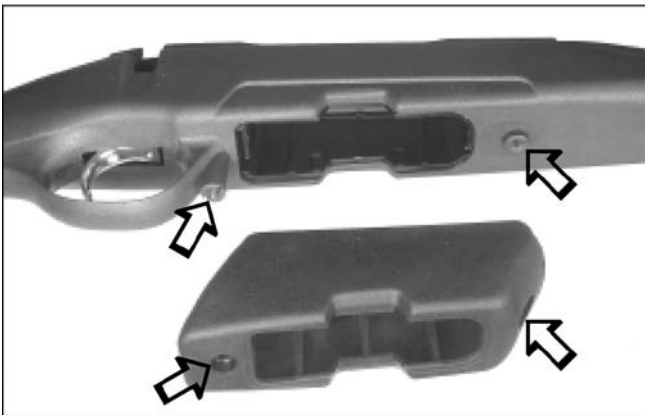
22. MOUNTING OF HC- KIT FOR MANNLICHER PRO HUNTER / VARMINT

Remove magazine and bolt.

When mounting the HC-Kit, it is not necessary to remove the action from the stock. Just replace the two system screws with the two HC-system screws which have to be tightened with a torque wrench (7Nm).



Then, slip on the HC-Kit and fasten by means of the short screws (heads of longer HC-system screws are threaded).



23. DEALING WITH STOPPAGES

If the STEYR rifle is kept clean and given proper care it will function very reliably. Nevertheless if jams occur, follow this procedure:

- Keep the STEYR rifle pointed in a safe direction.
- Put the STEYR rifle on safe and remove the magazine.
- Pull back bolt entirely, in order to throw out jammed cartridge.
- Be sure there is no obstruction in the barrel before attempting to chamber another cartridge.
- Push forward the bolt.
- Insert magazine
- Load again and continue shooting.

If there is a jam again, unload the STEYR rifle and have it checked by a qualified gunsmith.

No.	Nature of blockage	Cause	Remedy
1	Failure to feed cartridge	a) Cartridge not properly inserted b) Chamber fouled c) Cartridge damaged	Load new clean Cartridge Clean chamber Load new cartridge, inspection Clean chamber and bolt
2	Bolt cannot be locked	a) Chamber or bolt fouled b) Defective cartridge	Load new cartridge
3	Cartridge did not ignite	Defective cartridge a) primer punctured: misfire b) Firing pin defective or broken (primer not, or insufficiently punctured) c) Trigger mechanism defective	Wait 1 minute in firing position, unload, then reload a new cartridge Wait 1 minute in firing position, unload, and inspect the rifle. Replacement of the firing pin by a qualified gunsmith only. Wait 1 minute in firing position, unload. Inspection and repairing by a qualified gunsmith only.
4	Cartridge case is not extracted	Extractor defective	Extractor replaced by a qualified gunsmith
5	Cartridge case is extracted, but ejected faultily or not at all	Ejector fouled or defective	Ejector replaced by a qualified gunsmith

Guaranteed STEYR MANNLICHER accuracy

STEYR MANNLICHER barrels are made from high quality barrel steel and are produced according to the latest findings in barrel production technology.

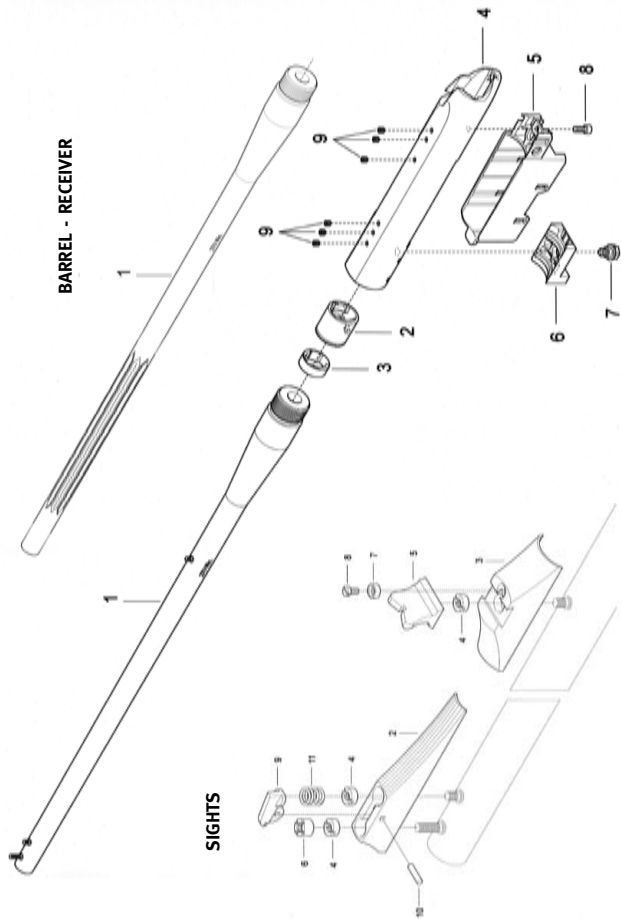
Our weapons are well known for their outstanding accuracy. However, the accuracy of a weapon depends on several factors.

The correct holding of the rifle without additional force onto the free floating barrel or the optical sight and a not excessively hard rifle rest are pre-condition to get an excellent accuracy. One of the most important factors is the ammunition used. Not every ammunition is suitable for a given type of barrel. Even ammunition from the same manufacturer and of the same brand may show different accuracy results from production lot to production lot and when fired from different weapons.

With optimal ammunition we guarantee excellent accuracy of our weapons. Claims regarding insufficient accuracy must be reported to us in writing within 1 month after purchase of the weapon. Should accuracy tests at our facilities show that the claim was unjustified, all costs for the accuracy test, including shipping costs will be charged to the claimant.

We wish you much pleasure with your
MANNLICHER CLASSIC AND MANNLICHER CLASSIC LIGHT
MANNLICHER PRO HUNTER AND MANNLICHER PRO VARMINT

MANNLICHER CLASSIC / MANNLICHER CLASSIC LIGHT



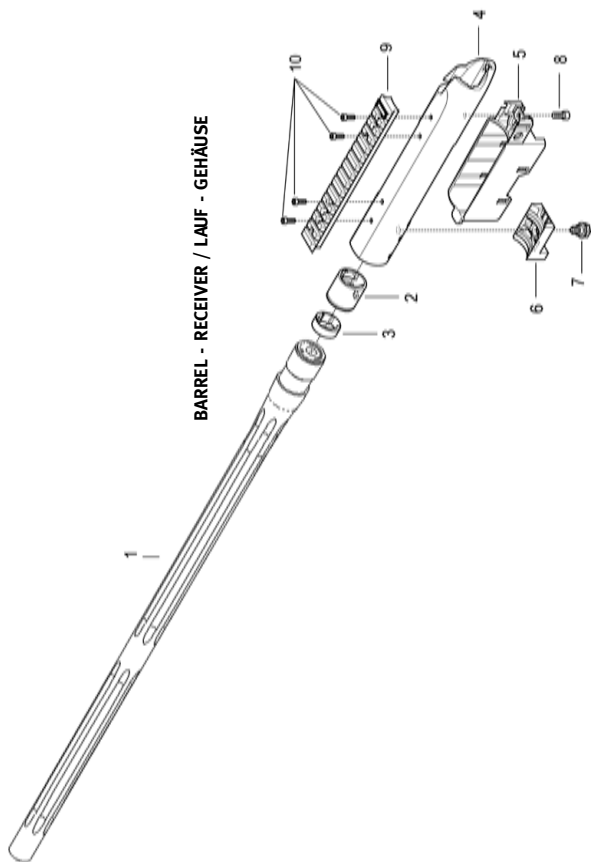
24. PARTS LIST

ITEM	DENOMINATION	STANDARD	QUANTITY
BARREL - RECEIVER			
1	BARREL		1 pcs.
2	LOCKING BUSH		1 pcs.
3	SAFETY BUSHING		1 pcs.
4	RECEIVER		1 pcs.
5	MAGAZINE WELL		1 pcs.
6	BEDDING BLOCK		1 pcs.
7	BEDDING BLOCK SCREW		1 pcs.
8	SOCKET HEAD CAP SCREW		1 pcs.
9	HEADLESS SET SCREW		6 pcs.
SIGHTS			
2	FRONT SIGHT BASE		1 pcs.
3	REAR SIGHT BASE		1 pcs.
4	SLOTTED ROUND NUT		3 pcs.
5	REAR SIGHT		1 pcs.
6	SET NUT		1 pcs.
7	CLAMPING SLEEVE		1 pcs.
8	SCREW		1 pcs.
9	FRONT SIGHT		1 pcs.
10	PARALLEL PIN		1 pcs.
11	SPRING		1 pcs.

24. PARTS LIST

ITEM	DENOMINATION	STANDARD	QUANTITY
BARREL - RECEIVER			
1	BARREL		1 pcs.
2	LOCKING BUSH		1 pcs.
3	SAFETY BUSHING		1 pcs.
4	RECEIVER		1 pcs.
5	MAGAZINE WELL		1 pcs.
6	BEDDING BLOCK		1 pcs.
7	BEDDING BLOCK SCREW		1 pcs.
8	SOCKET HEAD CAP SCREW		1 pcs.
9	HEADLESS SET SCREW		6 pcs.
SIGHTS			
2	FRONT SIGHT BASE		1 pcs.
3	REAR SIGHT BASE		1 pcs.
4	SLOTTED ROUND NUT		3 pcs.
5	REAR SIGHT		1 pcs.
6	SET NUT		1 pcs.
7	CLAMPING SLEEVE		1 pcs.
8	SCREW		1 pcs.
9	FRONT SIGHT		1 pcs.
10	PARALLEL PIN		1 pcs.
11	SPRING		1 pcs.

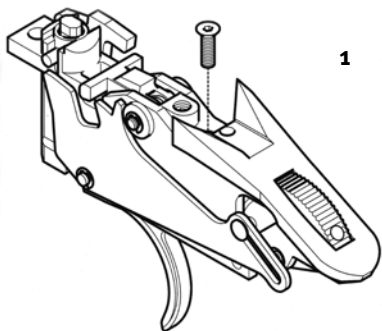
MANNLICHER PRO VARMINT



24. PARTS LIST

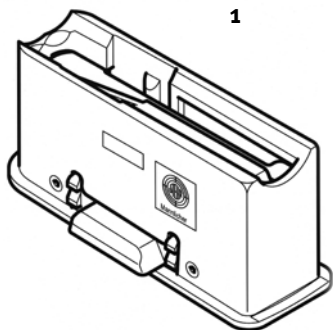
ITEM	DENOMINATION	STANDARD	QUANTITY
	BARREL - RECEIVER		
1	BARREL		1 pcs.
2	LOCKING BUSH		1 pcs.
3	SAFETY BUSHING		1 pcs.
4	RECEIVER		1 pcs.
5	MAGAZINE WELL		1 pcs.
6	BEDDING BLOCK		1 pcs.
7	BEDDING BLOCK SCREW		1 pcs.
8	SOCKET HEAD CAP SCREW		1 pcs.
9	PICATINNY RAIL		1 pcs.
10	SCREW		4 pcs.

TRIGGER GROUP

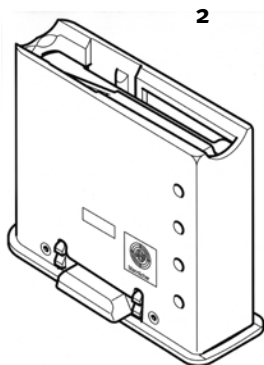


MAGAZINE GROUP

STANDARD



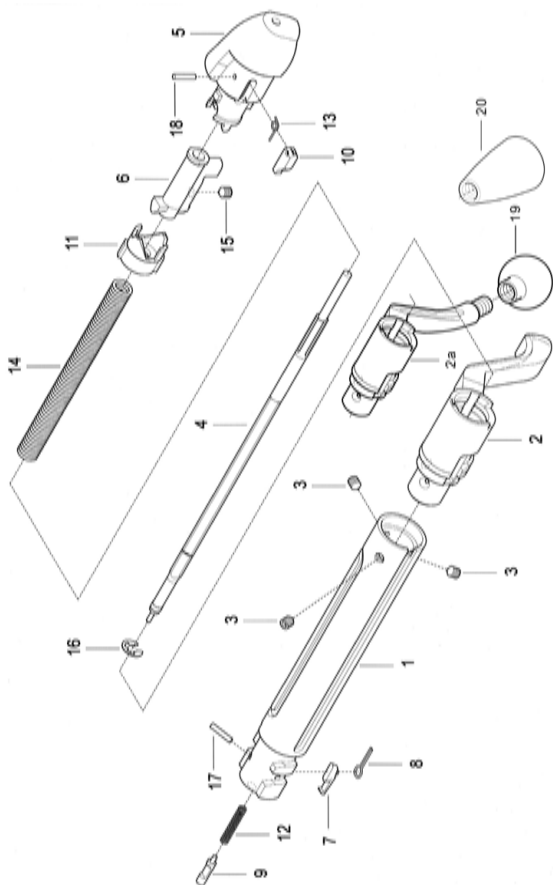
HIGH CAPACITY



24. PARTS LIST

ITEM	DENOMINATION	STANDARD	QUANTITY
TRIGGER GROUP			
1	DIRECT TRIGGER		1 pcs.
1	SET TRIGGER		1 pcs.
MAGAZINE GROUP			
1	MAGAZINE STANDARD		1 pcs.
2	MAGAZINE HC (HIGH CAPACITY)		1 pcs.

BOLT GROUP

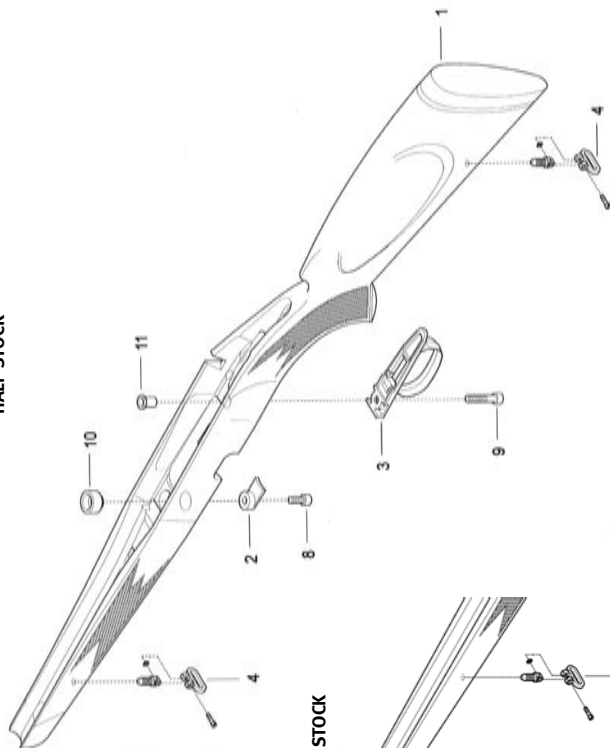


24. PARTS LIST

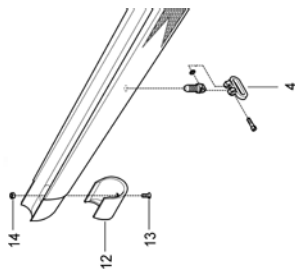
ITEM	DENOMINATION	STANDARD	QUANTITY
1	BOLT		1 pcs.
2	BOLT HANDLE		1 pcs.
2a	BOLT HANDLE GRIP SC SPORT		1 pcs.
3	HEADLESS SET SCREW		3pcs.
4	FIRING PIN		1 pcs.
5	BOLT CAP		1 pcs.
6	FIRING PIN LUG		1 pcs.
7	EXTRACTOR		1 pcs.
8	SPRING		1 pcs.
9	EJECTOR		1 pcs.
10	RATCHET LEVER		1 pcs.
11	CAM SLEEVE		1 pcs.
12	PRESSURE SPRING		1 pcs.
13	RATCHET LEVER SPRING		1 pcs.
14	FIRING PIN SPRING		1 pcs.
15	HEADLESS SET SCREW		1 pcs.
16	LOCK WASHER		1 pcs.
17	SPIROL PIN		1 pcs.
18	SPIROL PIN		1 pcs.
19	HANDLE GRIP SCOUT		1 pcs.
20	HANDLE		1 pcs.

STOCK GROUP CLASSIC / LIGHT - GRUPPE SCHAFT CLASSIC / LIGHT

HALF STOCK



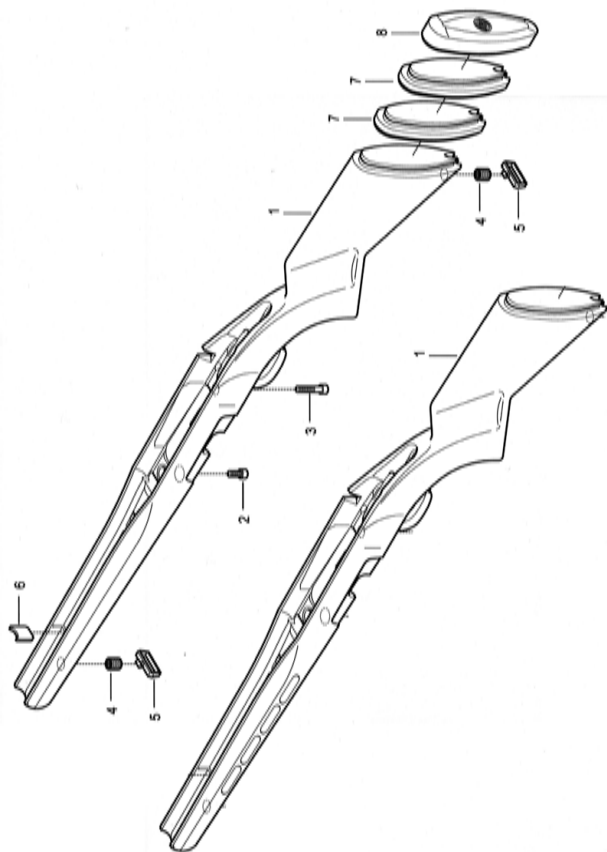
FULL STOCK



24. PARTS LIST

ITEM	DENOMINATION	STANDARD	QUANTITY
1	HALF STOCK COMPLETE		1 pcs.
1	FULL STOCK COMPLETE		1 pcs.
2	SCREW SUPPORT		1 pcs.
3	TRIGGER GUARD		1 pcs.
4	SLING SWIVEL COMPLETE		2 pcs.
8	SYSTEM SCREW FRONT		1 pcs.
9	SYSTEM SCREW REAR		1 pcs.
10	INSERT FRONT		1 pcs.
11	INSERT REAR		1 pcs.
12	FORE-END NOSE CAP		1 pcs.
13	SCREW FORE-END NOSE CAP		1 pcs.
14	NUT FORE-END NOSE CAP		1 pcs.

STOCK GROUP PRO HUNTER / VARMINT - GRUPPE SCHAFT PRO HUNTER / VARMINT



24. PARTS LIST

ITEM	DENOMINATION	STANDARD	QUANTITY
1	STOCK COMPLETE		1 pcs.
2	SCREW SUPPORT		1 pcs.
2	SYSTEM SCREW FRONT		1 pcs.
3	SYSTEM SCREW REAR		1 pcs.
4	SWIVEL HOLDER		2 pcs.
5	SLING SWIVEL MILLETT		2 pcs.
6	ABSORBER		1 pcs.
7	SPACER		2 pcs.
8	BUTT PLATE		1 pcs.

